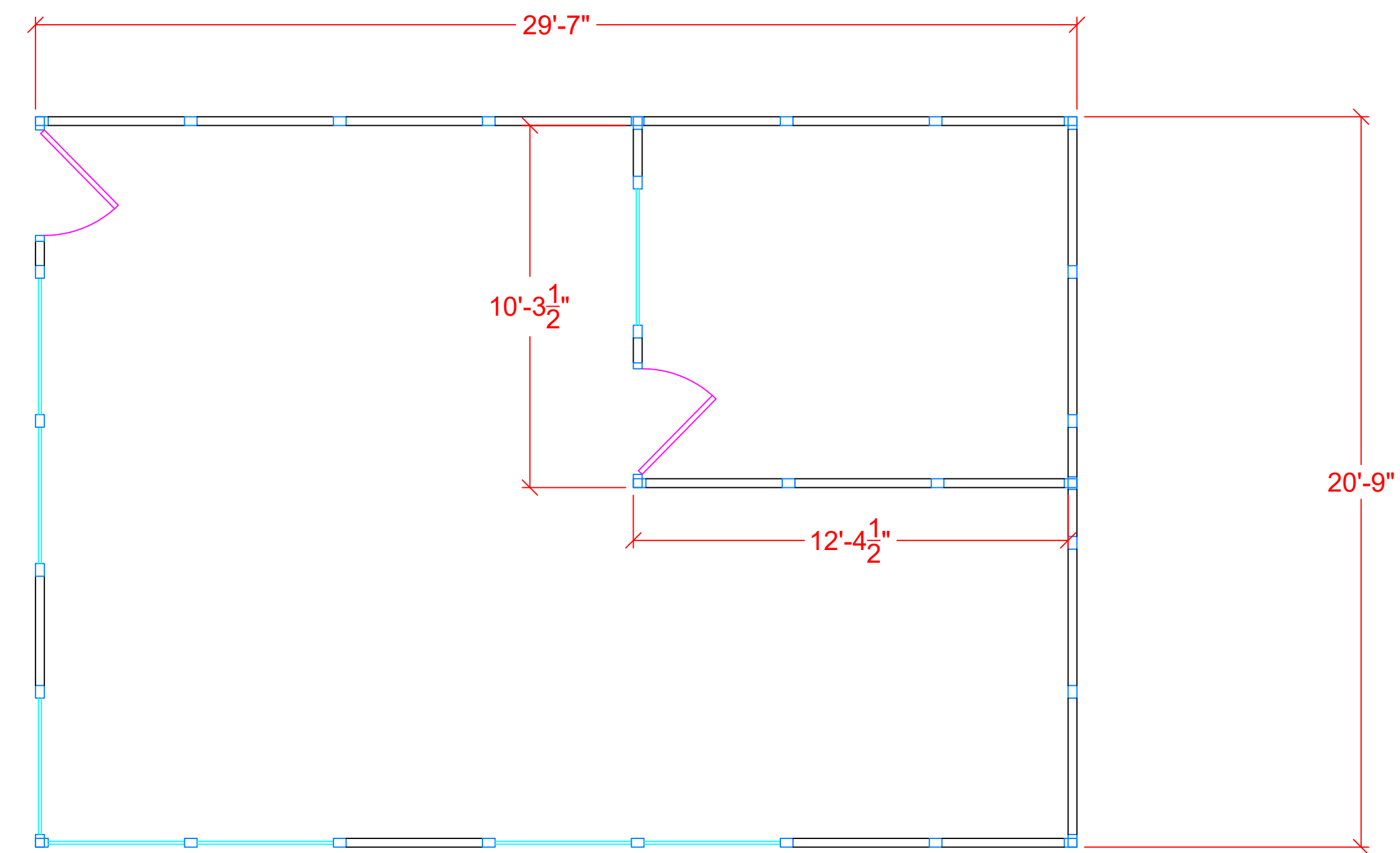


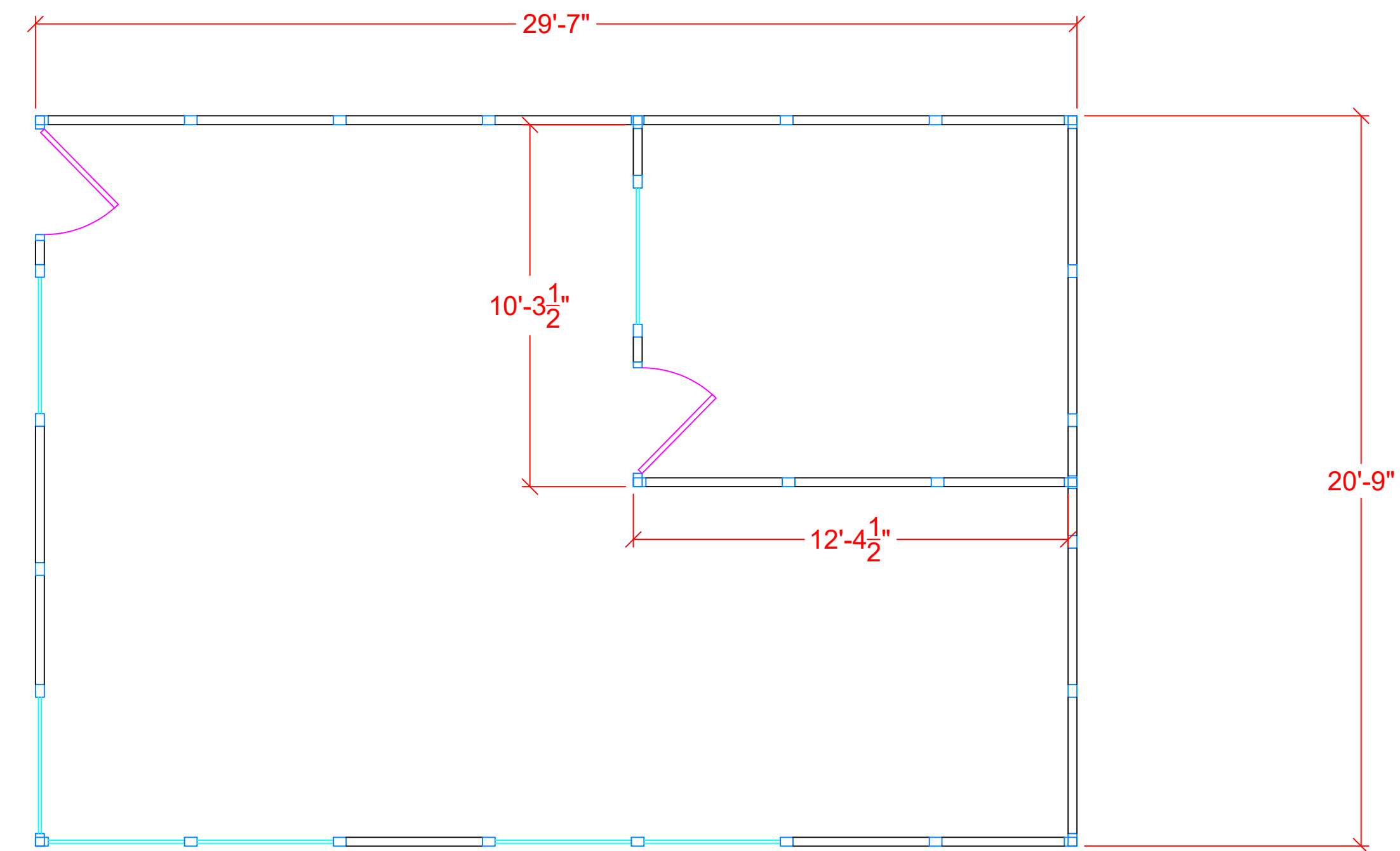
# Office Floor 2

2 Doors  
 6 windows on exterior wall  
 1 window on interior wall

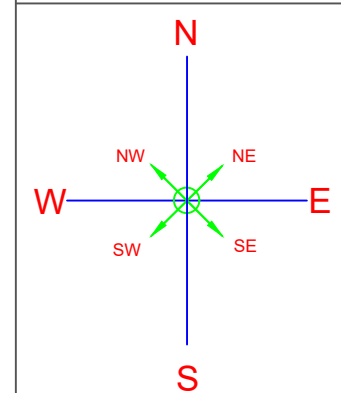


# Office Floor 1

2 Doors  
 6 windows on exterior wall  
 1 window on interior wall



Top View



CONCEPTIONAL DRAWING ONLY  
 SIZES BASED ON PRODUCT AVAILABLE  
 AT TIME OF ORDER.



THE BEST IN MATERIAL HANDLING  
 AND STORAGE EQUIPMENT

PROJECT: ----

PROVIDED BY:  
 AMERICAN SURPLUS INC  
 1 NOYES AVENUE  
 EAST PROVIDENCE, RI 02916  
 PHONE 800-989-7176 EXT: ----  
 FAX 401-434-7414  
 SALES REP: ----

SIZE  
 D

SCALE  
 Not to Scale

PROVIDED TO: ----

DATE

REVISIONS

----

DRAWN BY American Surplus